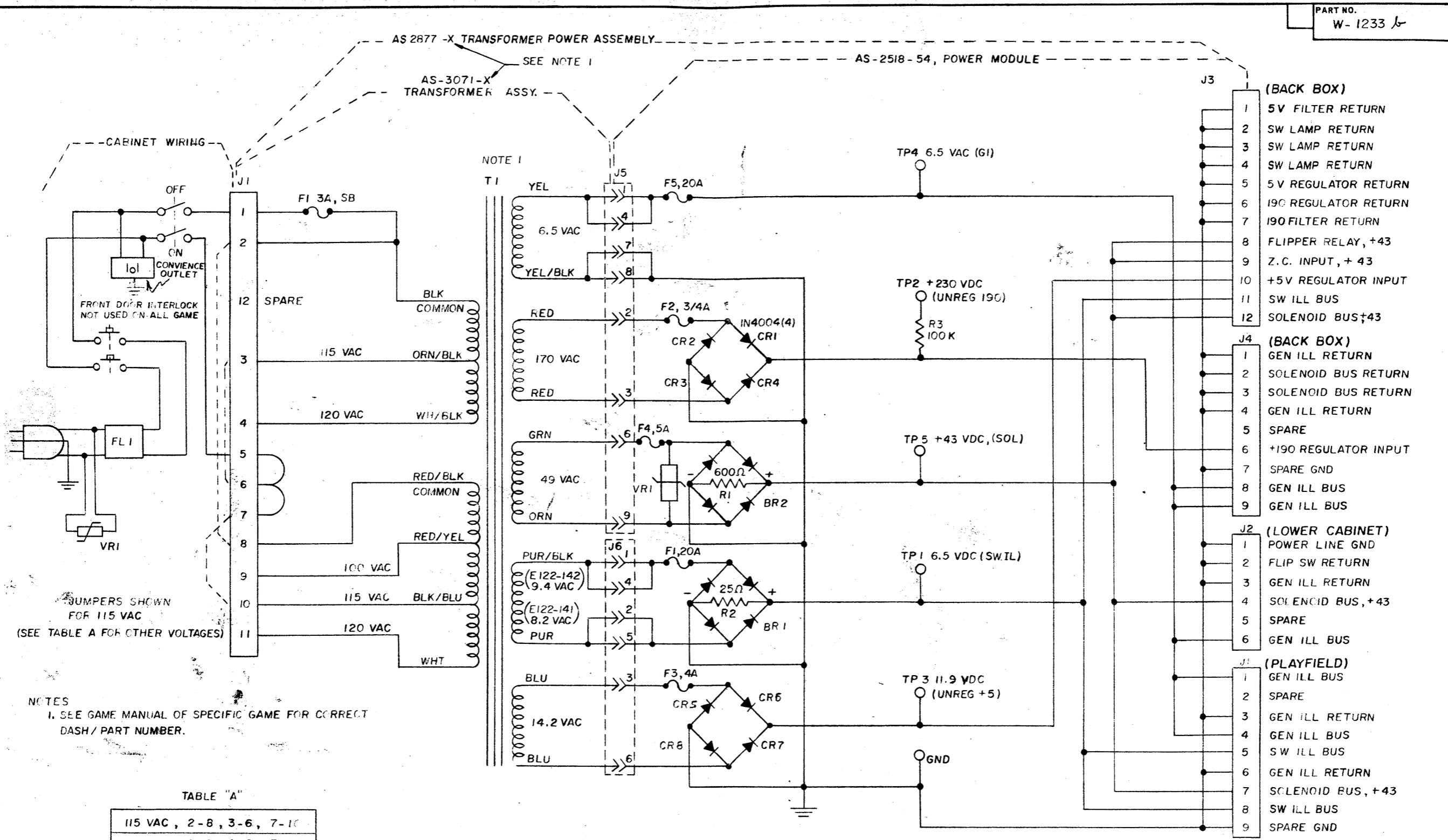


PART NO.
W-1233 *h*



NOTE 1
SEE NOTE 1

JUMPERS SHOWN FOR 115 VAC (SEE TABLE A FOR OTHER VOLTAGES)

NOTES
1. SEE GAME MANUAL OF SPECIFIC GAME FOR CORRECT DASH / PART NUMBER.

TABLE "A"

115 VAC, 2-8, 3-6, 7-10
120 VAC, 2-8, 4-6, 7-11
220 VAC, 4-8, 7-9
240 VAC, 4-8, 7-11

ALL DESIGN, OPERATIVE AND PROCESS DATA PERTAINING TO THE ARTICLE SHOWN ON THIS SHEET IS THE PROPERTY OF BALLY MFG. CORP., CHICAGO, ILL. THIS INFORMATION IS DISCLOSED IN CONFIDENCE AND IS NOT TO BE COPIED, REPRODUCED, REVEALED TO OR APPROPRIATED BY OTHERS, IN PART OR IN WHOLE, WITHOUT THE EXPRESS CONSENT OF THE OWNERS. THE PRINT IS LOANED AND MUST NOT BE USED IN ANY MANNER DETRIMENTAL TO THE INTEREST OF THE OWNERS, AND MUST BE RETURNED ON DEMAND.

REMOVE ALL BURRS	DR. BY	DATE	Bally MANUFACTURING CORP. 2640 BELMONT AVENUE # 1196 CHICAGO, ILLINOIS				
	CK. BY	DATE					
	AP'D BY	DATE	PRINT CONTROL	DIE SIZE	C.C.	FT. PER M.	LBS. PER M.
	AP'D BY	DATE	NAME		ASSEM. NO. USED		SCALE
TOLERANCES ON DIMENSIONS UNLESS OTHERWISE SPECIFIED		FINISH:		POWER SUPPLY SCHEMATIC			PART NO. W-1233 <i>h</i>
FRACTIONS ± .008		HARDENING:		MATERIAL			
DECIMALS ± .003		DO NOT SCALE DRAWING		CODE			
EXCEPT HOLE DIA.'S							
ANGLES ± 1/2°							

OPER.	DEPT.	DESCRIPTION	TOOL NO.

NO.	LET.	CHANGE	DATE	BY